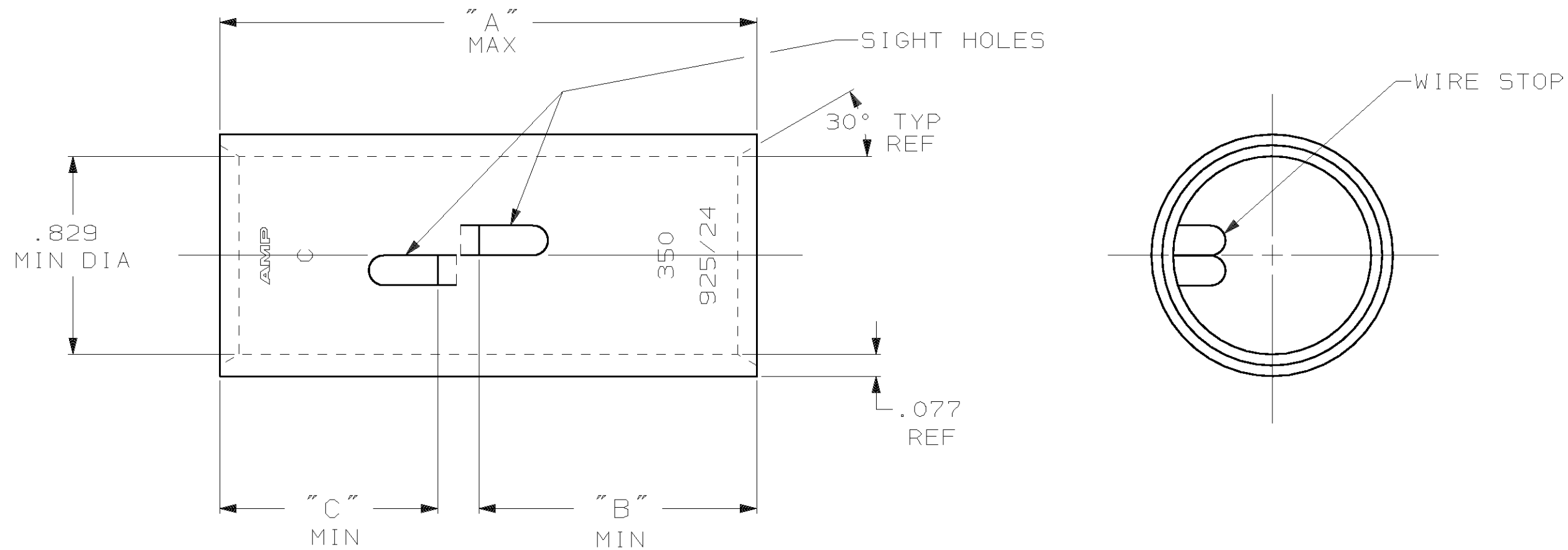


THIS DRAWING IS UNPUBLISHED. RELEASED FOR PUBLICATION, 19  
 © COPYRIGHT 19 BY AMP INCORPORATED. ALL INTERNATIONAL RIGHTS RESERVED.

LOC	DIST	P	F	REVISIONS				
G	86			ZONE	LTR	DESCRIPTION	DATE	APPD
					M	REV PER 0G3A-0637-01	030CT02	JR/MS



- 1 TIN PL .000150 MIN THK MIL-T-10727
- 2 PART NO: 324464; .146 LB.  
 PART NO: 1-324464-0; .146 LB.  
 PART NO: 2-324464-1; .164 LB.  
 PART NO: 2-324464-2; .164 LB.

.91	1.16	2.29	CLEANED	325-375 MCM	COPPER ASTM-B-75 ANNEALED	2-324464-2	
.91	.91	2.06	CLEANED			1-324464-1	
"C"	"B"	"A"	FINISH	WIRE RANGE		MATERIAL	324464
							PART NO
DO NOT SCALE PRINT. UNLESS SPECIFIED DIMENSIONS IN INCHES TOLERANCES ON:			DR 4/24/89 DK SCHRUM		<b>AMP</b>	AMP INCORPORATED Harrisburg, Pa. 17105	
2 PLC DEC ± -			CHK 4/24/89 MS FEHER				
3 PLC DEC ± -			APPD 11/8/89 WJ VOCKROTH		NAME SPLICE, BUTT, AMPPOWER WIRE SIZE: 350 MCM		
ANGLES ± -			APPD 11/8/89 TL SHUTTER				
MATERIAL			PRODUCT SPEC		SIZE		
SEE TABLE			-		FSCM NO		
FINISH			APPLICATION SPEC		DRAWING NO		
SEE TABLE			-		00779		
			WEIGHT		SCALE		
			-		2:1		
					SHEET		
					1 OF 1		